



Mud Pump RMKP-550-7"

Serial-No.: Z12041

Year of manufacture: 03/2012

Hochdruckpumpenservice GmbH
Schmolkamp 4B
D-29358 Eicklingen
Germany

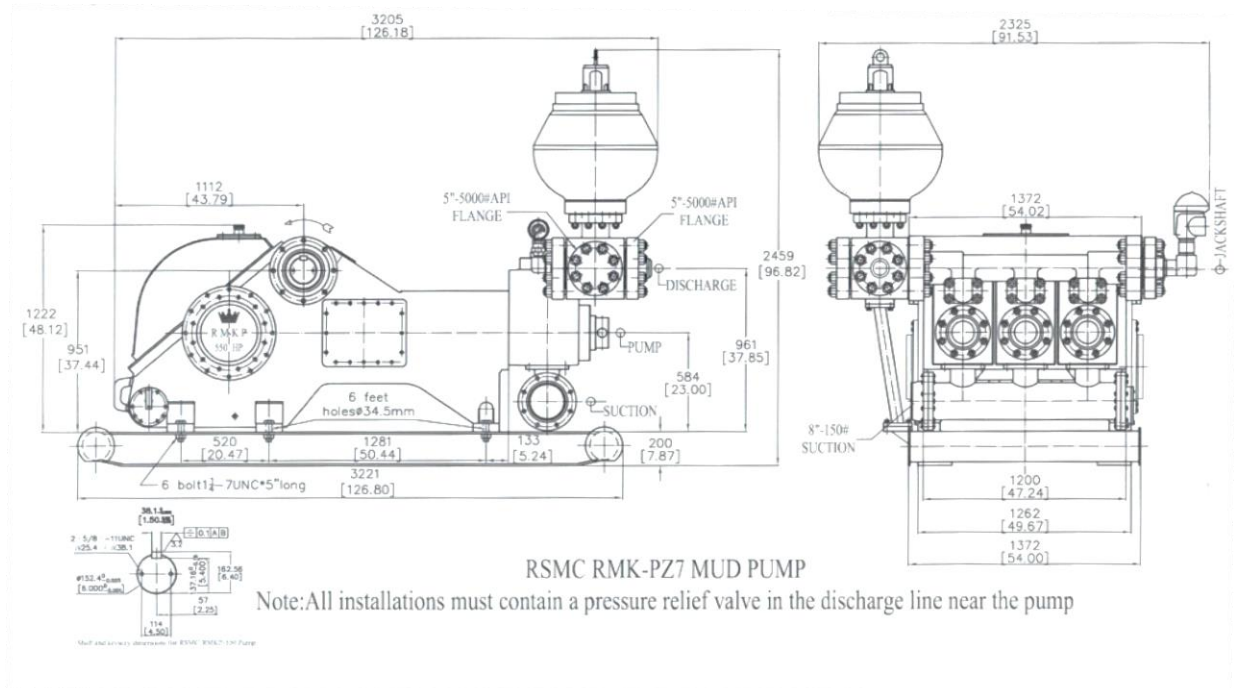
Tel: +49 (0) 5144-1869
Fax: +49 (0) 5144-56605
Email: info@hps-celle.de
Web: www.hps-celle.de

1. Technical Data

1.1 Design Features

Pump features a rigid steel fabricated frame with a casted suction manifold with a fabricated two-sided inlet. Discharge connection may be made from either side of the pump. Includes strainer block with pulsation dampener, mounted on a pony skid.

1.2 Dimension



1.3 Performance data high pressure pump

Type:	Triplex Mud pump - RMKP-550-7"
Rated BHP:	550
Rotational speed max:	max. 145 rpm
Gear ratio:	4,625:1
Input speed max:	670 rpm
(transmission shaft)	

Stroke: 7"
Suction pipe: 8"
Discharge pipe: 4"

Oil quantity: 60 gal
Oil type: 80W
Wight Dry: 23800 lbs

1.4 Displacement at rated BHP and RPM

Size	7"	6 ½"	6 ¼"	6"	5 ½"	5"	4 ½"	4"
GPM	507	437	404	373	313	259	210	166
PSI	1673	1940	2100	2277	2710	3278	4048	5000





Quoted Price:

105.750,00 €

Availability:

In stock at warehouse Eicklingen

Terms of delivery:

ex Works

Ready for pickup/ready for shipment 3 days after order